



Hardy BBT Limited
CONSULTING ENGINEERING & PROFESSIONAL SERVICES

LOG OF BOREHOLE NO. 91-1

PETRO-CANADA PRODUCTS - WATSON LAKE BULK PLANT
ENVIRONMENTAL SITE ASSESSMENT

LOGGED/DWN. [REDACTED]		CKD.	DATE OF INVEST. July 18, 1991	JOB NO. [REDACTED]	OTHER TESTS					
WATER CONTENT% 10 20 30 40 50 60 Wp-□ W-O W _L -△			DEPTH (m)	SOIL SYMBOL	DRILL TYPE Hollow Stem Auger	SOIL DESCRIPTION	CONDITION	SAMPLE TYPE	N	OTHER TESTS
DATALOG			DATUM	SURFACE ELEVATION						
			0.0			SILT & GRAVEL - sandy, compact, med. brown, moist				
			2.0			GRAVEL - sandy, trace silt, compact, med. brown, moist, occasional cobbles	⊗	D1	18	45 ppm
			4.0				⊗	D2	27	65 ppm
			6.0			- coarser, dense to very dense	⊗	D3	29	65 ppm
			8.0			- sheen on bit	⊗	D4	59	70 ppm
			10.0			SAND - medium to coarse grained, trace fine gravel, trace silt, compact, grey, saturated	⊗	D5	78	8% LEL
			10.0			SAND & GRAVEL - med. to coarse, some silt, dense, grey, saturated	⊗	D6	25	50 ppm
			10.0				⊗	D7	100	65 ppm
			12.0			END OF HOLE at 10.8 m				
			14.0			- monitoring well installed to 10.5 m depth				
			14.0			- water level at 7.7 m July 21, 1991				
			16.0							
			18.0							

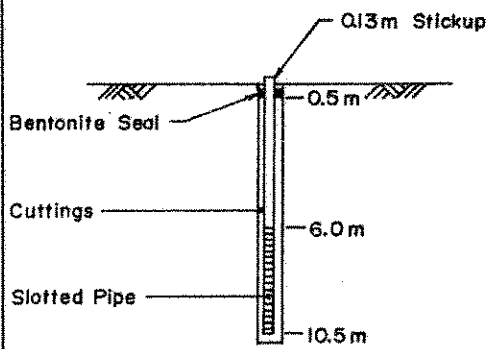


Plate A2